

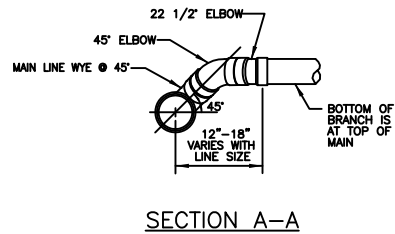
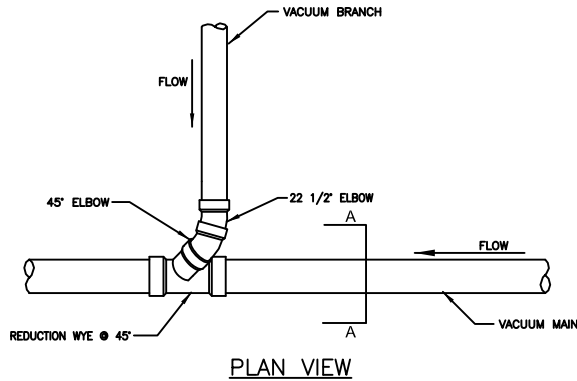
VALVE PIT TO MAIN OR BRANCH CONNECTION

DIMENSIONS BASED ON SPEARS MANUFACTURING

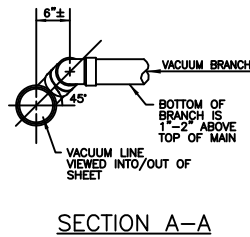
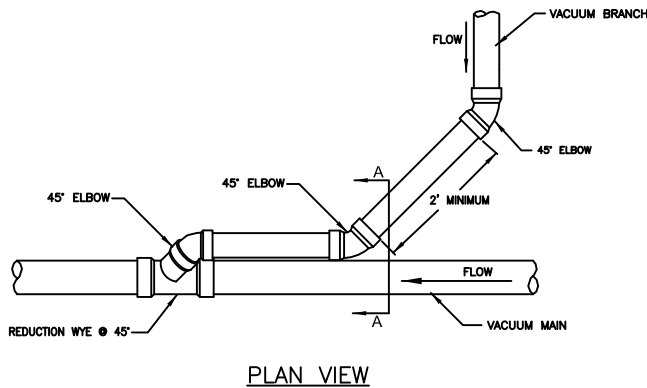
1. 45 DEG WYE, SOCKET x SOCKET x SOCKET
2. 2.45 DEG ELBOW, SOCKET x SOCKET
3. 90 DEG ELBOW, SOCKET x SOCKET

WYE SIZE	A	B	C	D	E	F-- INVERT
4 x 4 x 3	9 1/4"	3 1/16"	3 1/16"	3 25/32"	15.55"	1.31'
6 x 6 x 3	10 1/2"	3 1/16"	3 1/16"	3 25/32"	16.43"	1.38'
8 x 8 x 3	13"	3 1/16"	3 1/16"	3 25/32"	18.20"	1.53'
10 x 10 x 3	14 3/8"	3 1/16"	3 1/16"	3 25/32"	19.17"	1.62'

VALVE SERVICE CONNECTION



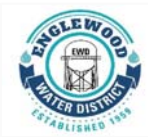
ALTERNATE VACUUM BRANCH TO MAIN LINE CONNECTION



ALTERNATE VACUUM BRANCH TO MAIN LINE CONNECTION

LAST REVISION	FEB. 2019
CHECKED	MM
APPROVED	KRL

**BRANCH CONNECTIONS
ALTERNATE**



ENGLEWOOD WATER DISTRICT
201 SELMA AVENUE
ENGLEWOOD, FLORIDA 34223